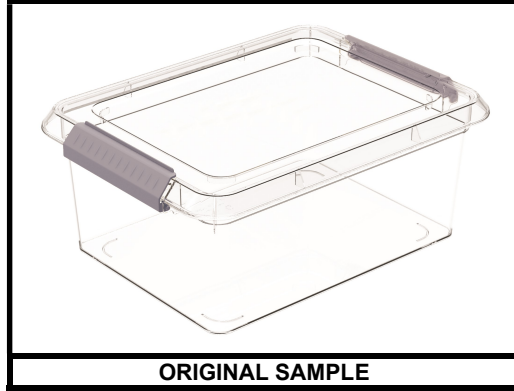


TEST REPORT

NUMBER : DELH23000858-K
DATE : 03RD MAR, 2023



TEST REPORT

NUMBER : DELH23000858-K
DATE : 03RD MAR, 2023

APPLICANT: ALL TIME PLASTICS PVT. LTD.
PLOT NO. 377/1 (1&2) & 371/1(C), KACHIGAM CHAR RASTA,
BEHIND STONE QUARRY, DAMAN (U.T.) 396210

ATTN: ZARIR PATEL

SAMPLE DESCRIPTION: EASY STORAGE BOX 13H (13 LTR) (ASSORTED)

DATE RECEIVED : 25TH JAN, 2023
TEST PERFORMANCE DATE : 25TH JAN, 2023 TO 29TH JAN, 2023
BUYER'S NAME : --
BUYING AGENT/ CONTACT : --
ORDER NO. : --
STYLE NO. : --
BAR CODE : 8902084013889
STYLE NO. : HSN CODE: 39241090
COLOR : GREY
END USE : --
SEASON : --
COUNTRY OF ORIGIN : --
COUNTRY OF DESTINATION : --
MANUFACTURER'S NAME : ALL TIME PLASTICS PVT. LTD.

TESTS CONDUCTED: AS PER THE REQUEST BY THE APPLICANT.
TOTAL LEAD CONTENT, TOTAL CADMIUM CONTENT, BISPHENOL-A CONTENT, OVERALL MIGRATION, SPECIFIC MIGRATION OF HEAVY METALS (19 ELEMENTS)
FOR FURTHER DETAILS PLEASE REFER TO THE ENCLOSED PAGE (S).

CONCLUSION:

TESTED SAMPLE	TEST PARAMETERS/STANDARD	RESULT
SUBMITTED SAMPLE	TOTAL LEAD CONTENT (With Reference to Regulation (EC) No.1907/2006 (REACH) And Its Amendments, Annex XVII, Entry 63)	M
	TOTAL CADMIUM CONTENT (With Reference to Regulation (EC) NO.1907/2006 (REACH) And Its Amendments, Annex XVII, Entry 23)	M
	BISPHENOL-A CONTENT (By Solvent Extraction Followed By LC-MS/MS)	M
	OVERALL MIGRATION As Per European Commission Regulation (EC) No.1935/2004 and (EU) No. 10/2011, EU 2020/1245- On Plastic Materials and Articles Intended to Come into Contact with Food)	M
	SPECIFIC MIGRATION OF HEAVY METALS (19 ELEMENTS) (As Per European Commission Regulation (EC) No.1935/2004 and (EU) No.10/2011, EU 2020/1245- On Plastic Materials and Articles Intended to Come into Contact with Food.)	M

NOTE: M = MEET REQUIREMENT F = DO NOT MEET REQUIREMENT
= NO SPECIFIED REQUIREMENT N/A = NOT APPLICABLE

Note:

- Statement of conformity is based on the Simple acceptance rule without using measurement uncertainty.
- Laboratory reports the final test results in test report. Any additional information, if required will be provided on request.



TEST REPORT

NUMBER : DELH23000858-K
DATE : 03RD MAR, 2023

AUTHORIZED BY
FOR INTERTEK INDIA PVT. LTD.

Kamal Sardhana

KAMAL SARDHANA
ASST. MANAGER - HARDLINE

Testing Remark: Test results have been incorporated from report no. DELH23000858 as per applicant's request



TEST REPORT

NUMBER : DELH23000858-K
DATE : 03RD MAR, 2023

TEST CONDUCTED:

1. TOTAL LEAD CONTENT:

Method: CPSC-CH-E1002-08.3

Tested Sample	Test Result (ppm)	Client's Requirement
Submitted Sample	COMPLIES Transparent plastic box: <10 ppm Transparent plastic lid: <10 ppm Grey Locks: <10 ppm	< 100 ppm

Detection Limit: 10 ppm

2. TOTAL CADMIUM CONTENT:

Method: CPSC-CH-E1002-08.3

Tested Sample	Test Result (ppm)	Client's Requirement
Submitted Sample	COMPLIES Transparent plastic box: <10 ppm Transparent plastic lid: <10 ppm Grey Locks: <10 ppm	< 100 ppm

Detection Limit: 10 ppm

Note: ppm = parts per million

3. BISPHENOL-A CONTENT:

Method: By Solvent Extraction Followed By LC-MS/MS.

Tested Sample	Test Result (ppm)	Requirement
Submitted Sample	COMPLIES Not Detected	Shall Not Contain Any Detectable Levels of Bisphenol-A (BPA)

Detection Limit: 0.1 ppm

Tested Item: Transparent Bottom

4. OVERALL MIGRATION:

As Per European Commission Regulation (EC) No.1935/2004 and (EU) No. 10/2011, EU 2020/1245- On Plastic Materials and Articles Intended to Come into Contact with Food)

Test Method: With Reference to EN 1186-1:2002 For Selection of Test Condition and Test Method.

Simulant Used	Test Condition	Test Results (mg/dm ²)			Requirement (mg/dm ²)
		1 st Migration	2 nd Migration	3 rd Migration	
10% Ethanol	100°C for 2 Hours	< 5.0	< 5.0	< 5.0	10
3% Acetic Acid	100°C for 2 Hours	< 5.0	< 5.0	< 5.0	10
95% Ethanol	60°C for 3.5 Hours	< 5.0	< 5.0	< 5.0	10
Iso-Octane	60°C for 1.5 Hours	< 5.0	< 5.0	< 5.0	10

Tested Item: Transparent Bottom

Note:

Result of 3rd migration < SML, and

Result of 1st migration ≥ 2nd migration ≥ 3rd migration after consideration of result uncertainty.

Result of 1st, 2nd and 3rd migration < SML when SML limit is Not Detected (ND)



TEST REPORT

NUMBER : DELH23000858-K
DATE : 03RD MAR, 2023

5. SPECIFIC MIGRATION OF HEAVY METAL (19 ELEMENTS):

As Per European Commission Regulation (EC) No.1935/2004 and (EU) No.10/2011, EU 2020/1245- On Plastic Materials and Articles Intended to Come into Contact with Food.

Method: With Reference to 13130-1:2004, Analysis Was Performed by ICP-MS/OES.

Simulant Used: 3% Acetic Acid

Test Condition: 100°C for 2 Hours

Test Parameter	Test Result (mg/kg) (1 & 2)			Requirement (mg/kg)
	1 st Migration	2 nd Migration	3 rd Migration	
Barium (Ba)	<0.1	<0.1	<0.1	1.0
Aluminum (Al)	<0.1	<0.1	<0.1	1.0
Cobalt (Co)	<0.03	<0.03	<0.03	0.05
Nickel (Ni)	<0.01	<0.01	<0.01	0.02
Copper (Cu)	<1	<1	<1	5.0
Iron (Fe)	<5	<5	<5	48.0
Zinc (Zn)	<1.0	<1.0	<1.0	5.0
Manganese (Mn)	<0.1	<0.1	<0.1	0.6
Lithium (Li)	<0.1	<0.1	<0.1	0.6
Chromium (Cr)	<0.01	<0.01	<0.01	0.01
Antimony (Sb)	<0.01	<0.01	<0.01	0.04
Arsenic (As)	<0.010	<0.010	<0.010	0.01
Cadmium (Cd)	<0.002	<0.002	<0.002	0.002
Lead (Pb)	<0.01	<0.01	<0.01	0.01
Mercury (Hg)	<0.01	<0.01	<0.01	0.01
Europium (Eu)	<0.01	<0.01	<0.01	0.05 (Sum)
Gadolinium (Gd)	<0.01	<0.01	<0.01	
Lanthanum (La)	<0.01	<0.01	<0.01	
Terbium (Tb)	<0.01	<0.01	<0.01	

Tested Item: Transparent Bottom

Note:

Result of 3rd migration < SML, and
Result of 1st migration ≥ 2nd migration ≥ 3rd migration after consideration of result uncertainty.
Result of 1st, 2nd and 3rd migration < SML when SML limit is Not Detected (ND)

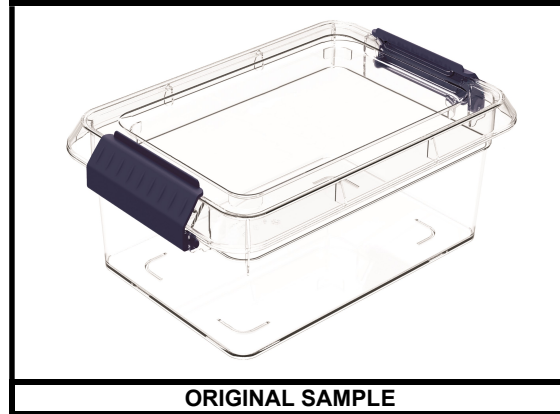
END OF TEST REPORT

This report is made solely on the basis of your instructions and/or information and materials supplied by you. It is not intended to be a recommendation for any particular course of action. Intertek does not accept a duty of care or any other responsibility to any person other than the Client in respect of this report and only accepts liability to the Client insofar as is expressly contained in the terms and conditions governing Intertek's provision of services to you. Intertek makes no warranties or representations either express or implied with respect to this report save as provided for in those terms and conditions. We have aimed to conduct the Review on a diligent and careful basis and we do not accept any liability to you for any loss arising out of or in connection with this report, in contract, tort, by statute or otherwise, except in the event of our gross negligence or willful misconduct.



TEST REPORT

NUMBER : DELH23000858-E
DATE : 03RD MAR, 2023



TEST REPORT

NUMBER : DELH23000858-E
DATE : 03RD MAR, 2023

APPLICANT: ALL TIME PLASTICS PVT. LTD.
PLOT NO. 377/1 (1&2) & 371/1(C), KACHIGAM CHAR RASTA,
BEHIND STONE QUARRY, DAMAN (U.T.) 396210

ATTN: ZARIR PATEL

SAMPLE DESCRIPTION: EASY STORAGE BOX 13H (13 LTR) (ASSORTED)

DATE RECEIVED : 25TH JAN, 2023
TEST PERFORMANCE DATE : 25TH JAN, 2023 TO 29TH JAN, 2023
BUYER'S NAME : --
BUYING AGENT/ CONTACT : --
ORDER NO. : --
STYLE NO. : --
BAR CODE : 8902084013889
STYLE NO. : HSN CODE: 39241090
COLOR : INDIGO
END USE : --
SEASON : --
COUNTRY OF ORIGIN : --
COUNTRY OF DESTINATION : --
MANUFACTURER'S NAME : ALL TIME PLASTICS PVT. LTD.

TESTS CONDUCTED: AS PER THE REQUEST BY THE APPLICANT.
TOTAL LEAD CONTENT, TOTAL CADMIUM CONTENT, BISPHENOL-A CONTENT, OVERALL MIGRATION, SPECIFIC MIGRATION OF HEAVY METALS (19 ELEMENTS)
FOR FURTHER DETAILS PLEASE REFER TO THE ENCLOSED PAGE (S).

CONCLUSION:

TESTED SAMPLE	TEST PARAMETERS/STANDARD	RESULT
SUBMITTED SAMPLE	TOTAL LEAD CONTENT (With Reference to Regulation (EC) No.1907/2006 (REACH) And Its Amendments, Annex XVII, Entry 63)	M
	TOTAL CADMIUM CONTENT (With Reference to Regulation (EC) NO.1907/2006 (REACH) And Its Amendments, Annex XVII, Entry 23)	M
	BISPHENOL-A CONTENT (By Solvent Extraction Followed By LC-MS/MS)	M
	OVERALL MIGRATION As Per European Commission Regulation (EC) No.1935/2004 and (EU) No. 10/2011, EU 2020/1245- On Plastic Materials and Articles Intended to Come into Contact with Food)	M
	SPECIFIC MIGRATION OF HEAVY METALS (19 ELEMENTS) (As Per European Commission Regulation (EC) No.1935/2004 and (EU) No.10/2011, EU 2020/1245- On Plastic Materials and Articles Intended to Come into Contact with Food.)	M

NOTE: M = MEET REQUIREMENT F = DO NOT MEET REQUIREMENT
= NO SPECIFIED REQUIREMENT N/A = NOT APPLICABLE

Note:

- Statement of conformity is based on the Simple acceptance rule without using measurement uncertainty.
- Laboratory reports the final test results in test report. Any additional information, if required will be provided on request.



TEST REPORT

NUMBER : DELH23000858-E
DATE : 03RD MAR, 2023

AUTHORIZED BY
FOR INTERTEK INDIA PVT. LTD.

Kamal Sardhana

KAMAL SARDHANA
ASST. MANAGER - HARDLINE

Testing Remark: Test results have been incorporated from report no. DELH23000858 as per applicant's request



TEST REPORT

NUMBER : DELH23000858-E
DATE : 03RD MAR, 2023

TEST CONDUCTED:

1. TOTAL LEAD CONTENT:

Method: CPSC-CH-E1002-08.3

Tested Sample	Test Result (ppm)	Client's Requirement
Submitted Sample	COMPLIES Transparent plastic box: <10 ppm Transparent plastic lid: <10 ppm Indigo Locks: <10 ppm	< 100 ppm

Detection Limit: 10 ppm

2. TOTAL CADMIUM CONTENT:

Method: CPSC-CH-E1002-08.3

Tested Sample	Test Result (ppm)	Client's Requirement
Submitted Sample	COMPLIES Transparent plastic box: <10 ppm Transparent plastic lid: <10 ppm Indigo Locks: <10 ppm	< 100 ppm

Detection Limit: 10 ppm

Note: ppm = parts per million

3. BISPHENOL-A CONTENT:

Method: By Solvent Extraction Followed By LC-MS/MS.

Tested Sample	Test Result (ppm)	Requirement
Submitted Sample	COMPLIES Not Detected	Shall Not Contain Any Detectable Levels of Bisphenol-A (BPA)

Detection Limit: 0.1 ppm

Tested Item: Transparent Bottom

4. OVERALL MIGRATION:

As Per European Commission Regulation (EC) No.1935/2004 and (EU) No. 10/2011, EU 2020/1245- On Plastic Materials and Articles Intended to Come into Contact with Food)

Test Method: With Reference to EN 1186-1:2002 For Selection of Test Condition and Test Method.

Simulant Used	Test Condition	Test Results (mg/dm ²)			Requirement (mg/dm ²)
		1 st Migration	2 nd Migration	3 rd Migration	
10% Ethanol	100°C for 2 Hours	< 5.0	< 5.0	< 5.0	10
3% Acetic Acid	100°C for 2 Hours	< 5.0	< 5.0	< 5.0	10
95% Ethanol	60°C for 3.5 Hours	< 5.0	< 5.0	< 5.0	10
Iso-Octane	60°C for 1.5 Hours	< 5.0	< 5.0	< 5.0	10

Tested Item: Transparent Bottom

Note:

Result of 3rd migration < SML, and

Result of 1st migration ≥ 2nd migration ≥ 3rd migration after consideration of result uncertainty.

Result of 1st, 2nd and 3rd migration < SML when SML limit is Not Detected (ND)



TEST REPORT

NUMBER : DELH23000858-E
DATE : 03RD MAR, 2023

5. SPECIFIC MIGRATION OF HEAVY METAL (19 ELEMENTS):

As Per European Commission Regulation (EC) No.1935/2004 and (EU) No.10/2011, EU 2020/1245- On Plastic Materials and Articles Intended to Come into Contact with Food.

Method: With Reference to 13130-1:2004, Analysis Was Performed by ICP-MS/OES.

Simulant Used: 3% Acetic Acid

Test Condition: 100°C for 2 Hours

Test Parameter	Test Result (mg/kg) (1 & 2)			Requirement (mg/kg)
	1 st Migration	2 nd Migration	3 rd Migration	
Barium (Ba)	<0.1	<0.1	<0.1	1.0
Aluminum (Al)	<0.1	<0.1	<0.1	1.0
Cobalt (Co)	<0.03	<0.03	<0.03	0.05
Nickel (Ni)	<0.01	<0.01	<0.01	0.02
Copper (Cu)	<1	<1	<1	5.0
Iron (Fe)	<5	<5	<5	48.0
Zinc (Zn)	<1.0	<1.0	<1.0	5.0
Manganese (Mn)	<0.1	<0.1	<0.1	0.6
Lithium (Li)	<0.1	<0.1	<0.1	0.6
Chromium (Cr)	<0.01	<0.01	<0.01	0.01
Antimony (Sb)	<0.01	<0.01	<0.01	0.04
Arsenic (As)	<0.010	<0.010	<0.010	0.01
Cadmium (Cd)	<0.002	<0.002	<0.002	0.002
Lead (Pb)	<0.01	<0.01	<0.01	0.01
Mercury (Hg)	<0.01	<0.01	<0.01	0.01
Europium (Eu)	<0.01	<0.01	<0.01	0.05 (Sum)
Gadolinium (Gd)	<0.01	<0.01	<0.01	
Lanthanum (La)	<0.01	<0.01	<0.01	
Terbium (Tb)	<0.01	<0.01	<0.01	

Tested Item: Transparent Bottom

Note:

Result of 3rd migration < SML, and
Result of 1st migration ≥ 2nd migration ≥ 3rd migration after consideration of result uncertainty.
Result of 1st, 2nd and 3rd migration < SML when SML limit is Not Detected (ND)

END OF TEST REPORT

This report is made solely on the basis of your instructions and/or information and materials supplied by you. It is not intended to be a recommendation for any particular course of action. Intertek does not accept a duty of care or any other responsibility to any person other than the Client in respect of this report and only accepts liability to the Client insofar as is expressly contained in the terms and conditions governing Intertek's provision of services to you. Intertek makes no warranties or representations either express or implied with respect to this report save as provided for in those terms and conditions. We have aimed to conduct the Review on a diligent and careful basis and we do not accept any liability to you for any loss arising out of or in connection with this report, in contract, tort, by statute or otherwise, except in the event of our gross negligence or willful misconduct.

